
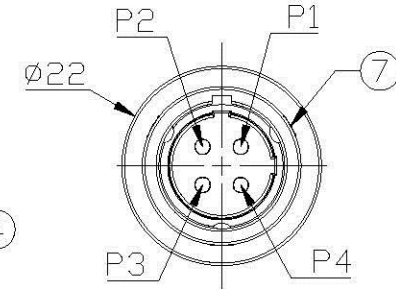
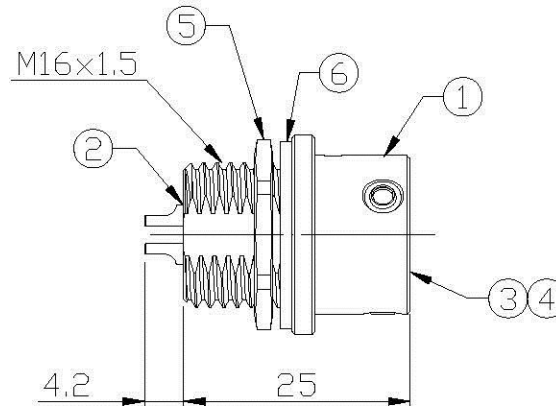
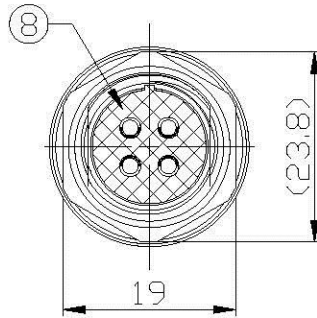


Notes: (Unless Otherwise Specified)

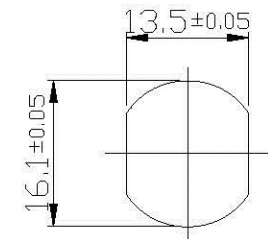
1. WaterProof Rate : IP68
2. Recommend Panel Thickness: 0.8 to 8.0 mm
3. Recommend Torque: 15~16 Kgf-cm
4. Durability: 100 Cycles Min.
5. DWV: 650 Vrms
6. Rated Voltage: 30V AC/DC
7. Insulation Resistance: 100 MΩ Min.
8. RoHS Compliant.

| REV | ECN# | DESCRIPTION OF REVISION | DRAW BY DATE | CHECK BY DATE | APPROVE BY DATE |
|-----|------------|--|------------------|-----------------|-----------------|
| 01 | | | Hank 12/24/12 | Ray 12/24/12 | Ray 12/24/12 |
| 02 | ECN-130212 | Modify Color  | Hank 02/22/13 | Ray 02/22/13 | Ray 02/22/13 |

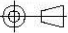


Pin Assignment

| | | | |
|------|---------------|--|-----|
| 8 | Glue | Epoxy Color: Black | |
| 7 | Metal Ball | SUS Finish:- | 3 |
| 6 | Gasket | Silicone Color: Black | 1 |
| 5 | Metal Hex Nut | SUS Finish: - | 1 |
| 4 | Contacts | Copper Alloy Finish: Au Plated | 4 |
| 3 | O-Ring | Silicone  Color: Red | 1 |
| 2 | Housing | Thermoplastic Color: Black | 1 |
| 1 | Metal Body | SUS Finish: - | 1 |
| Item | Part Name | Material / Finish | Qty |



Recommended Panel Cut-Out

| TITLE | | | | | | DRAWING NUMBER | | | REV. | |
|---|------|-------|---------------|--------------|----------------|-------------------------|-----------------------------|------|-------|--|
| M16 Metal 10A 4P SUS303 Panel Rear Mount Male Solder Push Lock | | | | | | GT261201-04040 | | | 02 | |
|  | B | 1:1 | Hank 12/24/12 | Ray 12/24/12 | Ray 12/24/12 | X.X ± 0.5 X.XX ± 0.2 | X.XXX ± 0.05 ANGLES ± 1° | mm | 1/1 | |
| THIRD ANGLE PROJECTION | SIZE | SCALE | DRAW / DATE | CHECK / DATE | APPROVE / DATE | TOLERANCES | | UNIT | SHEET | |

Allconnectors
 www.allconnectors.de info@allconnectors.de
 Tel.: 0049 711 7009503 Fax: 0049 711 7009504
 70784 Filderstadt - Germany Kettenmerstr. 25

THE INFORMATION CONTAINED HEREIN IS THE PROPRIETARY PROPERTY OF GT CONTACT GLLTD THE POSSESSOR AGREES TO THE FOLLOWING:
 (1) TO MAINTAIN THIS DOCUMENT IN CONFIDENCE
 (2) NOT TO REPRODUCE OR COPY IT
 (3) NOT TO REVEAL OR PUBLISH IT IN WHOLE OR PART
 (4) ALL RIGHTS RESERVED